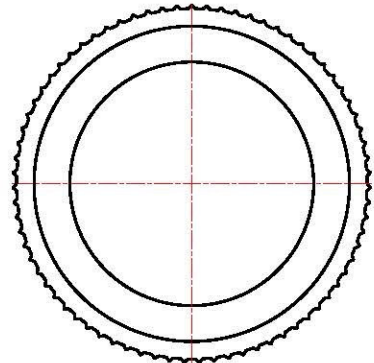
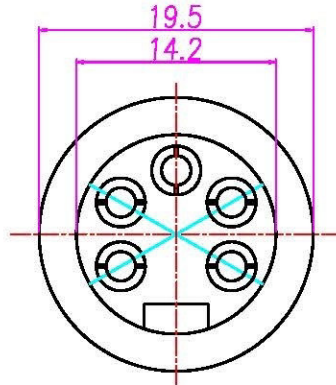
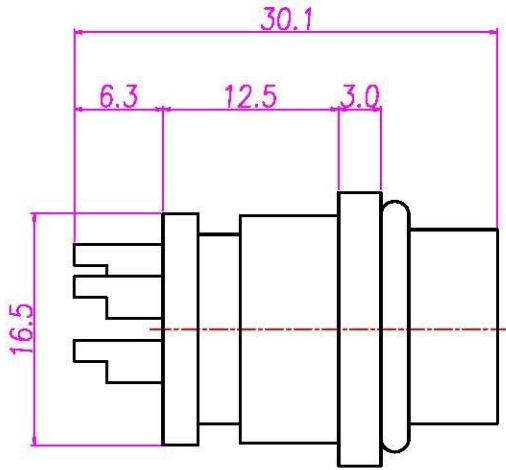


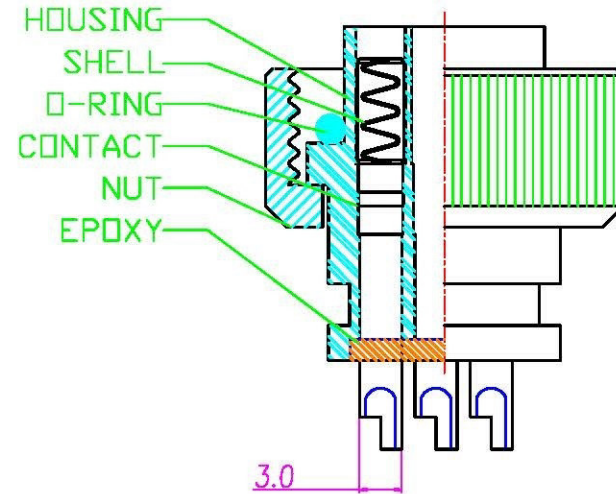
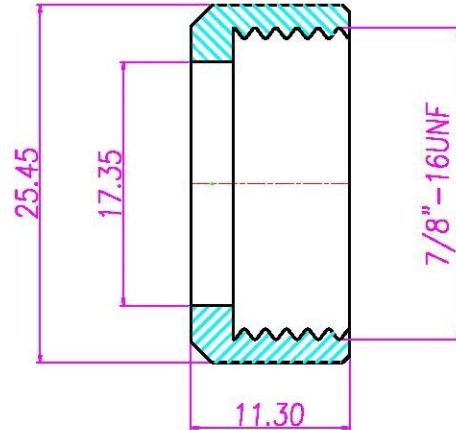
This document is the property of Nan-Yeong Corporation and is delivered on the express condition that it is not to be disclosed, reproduced or used, in whole or in part, for manufacture or sale by anyone other than Nan-Yeong Corporation without its prior consent, and that no right is granted to disclose or to use any information in this document.

# CUSTOMER DRAWING

| REV. | DESCRIPTION | APPROVED BY | DATE      | ECN NO. |
|------|-------------|-------------|-----------|---------|
| A    | RELEASE     | Fido Veng   | 18/05/09* |         |
| B    |             |             |           |         |
| C    |             |             |           |         |



NUT



- MATERIAL :**
  - 1-1. HOUSING : PBT UL94V-0 ; COLOR : YELLOW
  - 1-2. CONTACT : BRASS
  - 1-3. SHELL : BRASS
  - 1-4. NUT : BRASS
  - 1-5. Epoxy Base : EF400A&EF400B. COLOR : BLACK
  - 1-6. O-RING : NBR
- FINISH :**
  - 2-1. CONTACT : 30 MICRO INCHES MIN. GOLD PLATED  
UNDER PLATE : NICKEL
  - 2-2. SHELL : MATTE TIN PLATED
  - 2-3. NUT : NICKEL PLATED
- ELECTRICAL SPECIFICATION :**
  - 3-1. Rated current : 20A
  - 3-2. Voltage : 125V
  - 3-3. Water proof: IPX8
- Environmental :**
  - 4-1. Operation Temperature : -20 °C~85°C

|   |    |       |       |     |  |   |          |                |         |        |         |
|---|----|-------|-------|-----|--|---|----------|----------------|---------|--------|---------|
| DRAWN   | KU | APP'D | UNIT  | MM  | TOLERANCE  |   | TITLE    | 防水頭5PIN(F)杯口線端 |         |        | SHEET   |
| CHK'D   |    |       | SCALE | 1:1 | .X ±0.25<br>.XX ±0.20<br>.XXX ±0.10<br>.XXXX ±0.03<br>ANGULA ±1° |   | PART NO. | WP-05F2-21     | DWG NO. | QC2813 | VERSION |
| www.allconnectors.de<br>Tel: 0049 711 7009503<br>70724 Pflersbach - Germany |    |       |       |     |  | info@allconnectors.de<br>Fax: 0049 711 7009504<br>Kettenstr. 25 |          |                |         |        | A       |